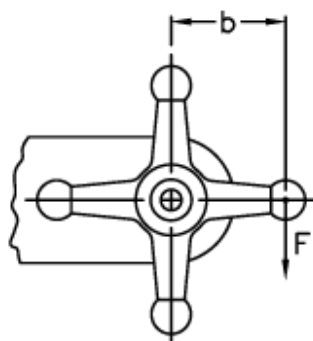
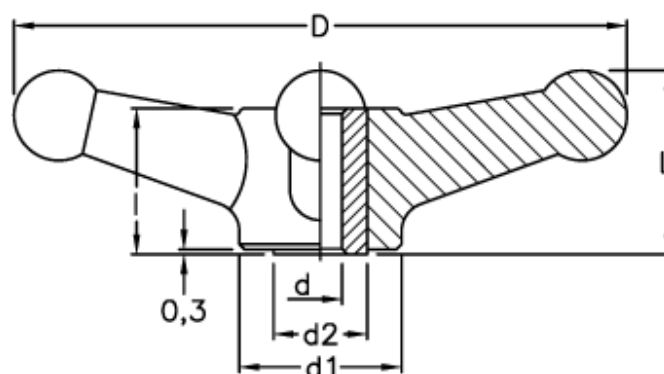


Article number: 2301065001
Description: E+G Handwheel
VB.198/170

Measures



$$C[\text{N}\cdot\text{m}] = F[\text{N}] \cdot b[\text{m}]$$

C (N m)	= 105
D	= 170
d1	= 45
d2	= 26
d H9	= 12
l	= 40
L	= 50